

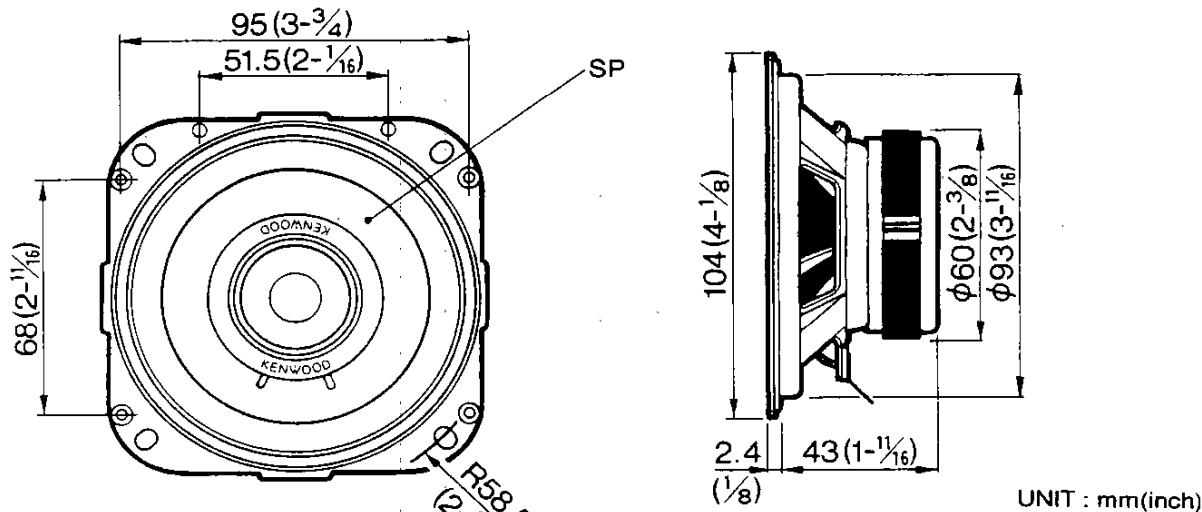
# KFC-1024C/L

## SERVICE MANUAL

# KENWOOD

© 1993-10 PRINTED IN JAPAN  
B51-6656-00(B) 1650

### EXTERNAL VIEW



### PARTS INCLUDED

- |   |  |                               |   |  |                               |
|---|--|-------------------------------|---|--|-------------------------------|
| ① |  | 3m (10ft)..... X 2            | ⑥ |  | φ6 × 14 (3/8 × 9/16)..... X 8 |
| ② |  | ..... X 4                     | ⑦ |  | φ5 × 20 (3/16 × 1/2)..... X 8 |
| ③ |  | ..... X 8                     | ⑧ |  | φ4 × 20 (3/16 × 1/2)..... X 8 |
| ④ |  | M4 × 12 (3/16 × 1/2)..... X 8 | ⑨ |  | φ4 × 16 (3/16 × 5/8)..... X 8 |
| ⑤ |  | M4 (3/16)..... X 8            | ⑩ |  | φ4 × 12 (3/16 × 1/2)..... X 8 |
|   |  |                               | ⑪ |  | φ4 × 6 (3/16 × 1/4)..... X 2  |

### SPECIFICATIONS

#### Speakers

Woofers	104mm (4in) Water Resistant Cone Type 100g (3.6oz) Magnet
Tweeter	35mm (1-3/8in) P.I. Film Balanced Dome Type
Peak Power	50 Watts
Frequency Response	60Hz ~ 20,000Hz
Sensitivity	90dB/W at 1m
Impedance	4 Ohms
Net Weight	720g (1.6lb)/Pair

### PARTS LIST

#### \* New Parts

Parts without Parts No. are not supplied.

Les articles non mentionnes dans le Parts No. ne sont pas fournis.

Telle ohne Parts No. werden nicht geliefert.

Ref No.	New Parts	Parts No.	Description
①		E30-5136-08	CORD SET (KFC-1024C ONLY)
②	*	J19-3887-08	GASKET
③ ~ ⑪		N99-1257-08	SCREW SET (KFC-1024C ONLY)
		N99-1242-08	SCREW SET (KFC-1024L ONLY)
SP	*	T15-0268-08	SPEAKER

### KENWOOD CORPORATION

Alive Mitake, 2-5, 1-chome Shibuya, Shibuya-ku, Tokyo 150, Japan  
**KENWOOD SERVICE CORPORATION**  
 P.O. BOX 22745, 2201 East Dominguez St., Long Beach, CA 90801-5745, U.S.A.  
**KENWOOD ELECTRONICS CANADA INC.**  
 6070 Kestrel Road, Mississauga, Ontario, Canada L5T 1S8  
**KENWOOD ELECTRONICS LATIN AMERICA S.A.**  
 P.O. BOX 55-2791, Prso 6 Plaza Chase, Cl. 47 y Aquilino de la Guardia, Panama,  
 Republic de Panama  
**TRIO-KENWOOD U.K. LIMITED**  
 Kenwood House, Dwight Road, Watford, Herts, WD1 8EB, United Kingdom  
**KENWOOD ELECTRONICS BENELUX N.V.**  
 Mechelsesteenweg 418 B-1930 Zaventem, Belgium  
**KENWOOD ELECTRONICS DEUTSCHLAND GMBH**  
 Rembrucker Str. 15, 63150 Heusenstamm, Germany  
**TRIO-KENWOOD FRANCE S.A.**  
 13 Boulevard Ney, 75018 Paris, France  
**KENWOOD ELECTRONICS ITALIA S.p.A.**  
 Via G. Sinon, 7/9 20129 Milano, Italy  
**KENWOOD ESPANA S.A.**  
 Bolivia, 239-08020 Barcelona, Spain  
**KENWOOD ELECTRONICS AUSTRALIA PTY. LTD.** (A.C.N. 001 499 074)  
 PO BOX 504, 8 Figtree Drive, Australia Centre, Homebush, N.S.W. 2140, Australia  
**KENWOOD & LEE ELECTRONICS, LTD.**  
 Unit 37/12-3724, Level 37 Tower 1, Metroplaza, 223 Hing Fong Road,  
 Kwai Fong N.T. Hong Kong  
**KENWOOD ELECTRONICS SINGAPORE PTE LTD**  
 No. 1 Genting Lane #07-00, Singapore 1334

KENWOOD follows a policy of continuous advancements in development. For this reason specification may be